

Accessories: Mounting unit BMF 303-HW-44

Common Data

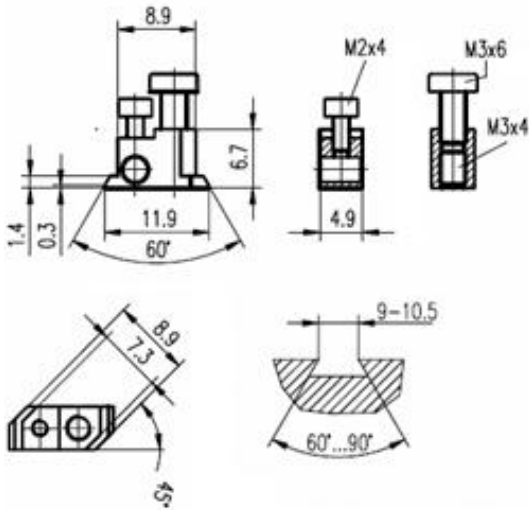
Version
Usable with

Bracket
with BMF, mountable on cylinder
with 60° (e.g. Festo, Bosch,
Numatics and Hoerbiger-Origa) or
with 90° (e.g. Martonair)d

Mechanical Data

Material
Weight

Aluminium anodized
1,4



Datasheet number::

Definitions see general catalog.
If not otherwise noted, ratings according to
IEC 60947-5-2 (DIN EN60947-5-2)

Balluff GmbH
Schurwaldstrasse 9
73765 Neuhausen a.d.F.
Phone (07158) 173-0 Fax (07158) 5010

Datenblatt by CD-ROM - 04/2007

BALLUFF
sensors worldwide